



Inventory number: 19561

**Universal machining center
DMG DMU 60 P hy-din**



Technical data

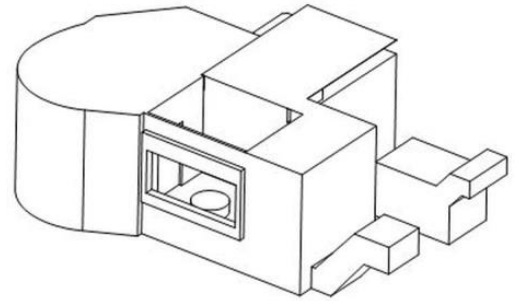
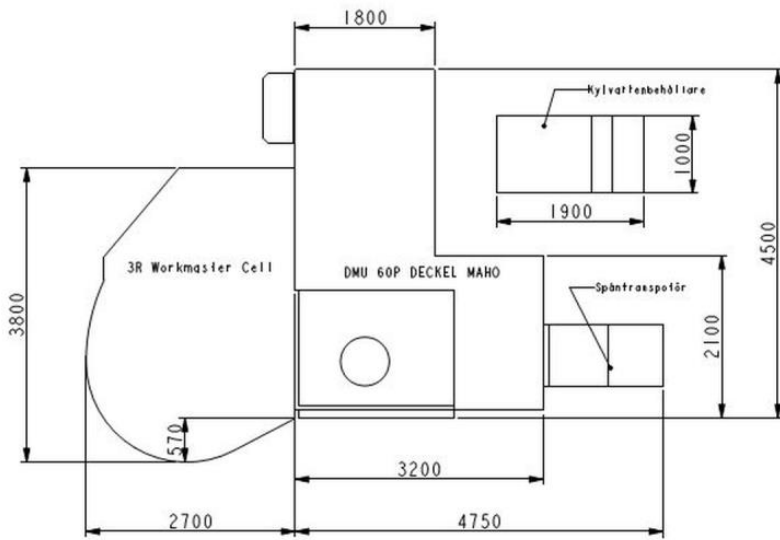
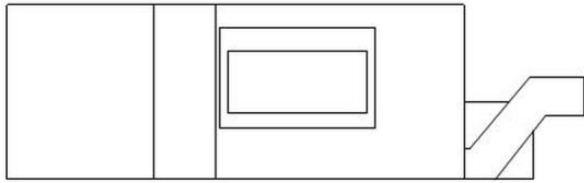
Rotary table:diameter	630 mm
Number of axis total	5 Simultan
Longitudinal travel (X-axis)	600 mm
Transversal travel (y axis)	700 mm
Vertical travel (z axis)	600 mm
Maximum Blade length	mm
Tool changer:	
Number of tools	180
Spindle nose:	BT 40
Spindle speeds:	
stepless	
up to	18000 rpm
Overall dimensions machine:	total
Length	7500 mm
Width	4500 mm
Various accessories:	
Set of toolholders	BT 40 ca 150x
High pression colant device	40 bar
Internal coolant supply	











SCALE 2:125



